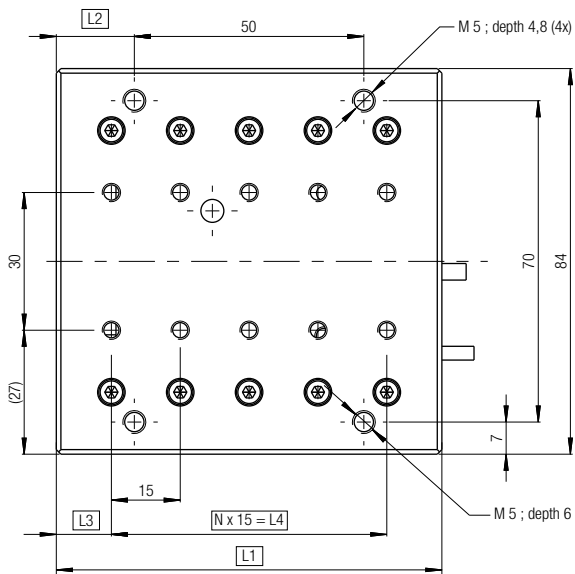


Options

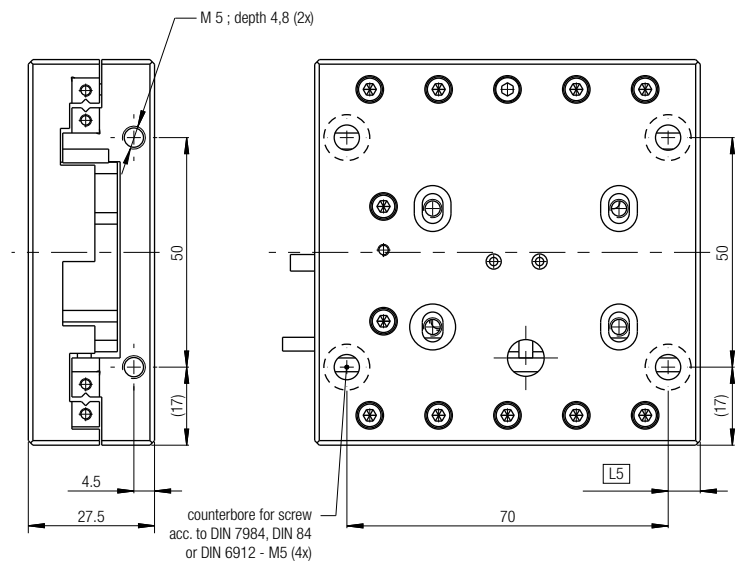
- High vacuum preparation on request (other technical data)
- Cleanroom preparation on request
- Non-magnetic preparation on request (other technical data)

Dimensions

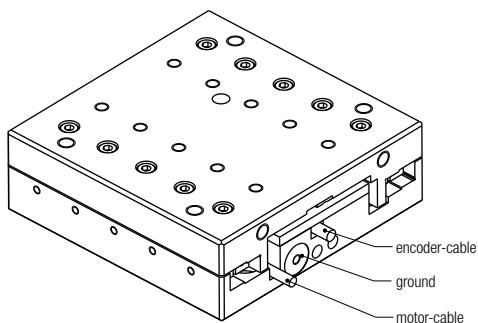
example for **MT 84**; slide in middle position



Top view



Bottom view



MT 84	Travel X	Size L1	Size L2	Size L3	Size L4	Size L5	N
	[mm]	[mm]	[mm]	[mm]	[mm]	[mm]	[mm]
-25...	25	84	17	12	60	7	4
-50...	50	110	30	10	90	20	6